

Brio®

Brio® where ideas unfold

Brio® 612 Retractable Pleated Insect Screen

For openings up to 3.2 metres high by 9 metres wide

About us

Brio® where ideas unfold

Watch your adventurous architectural ideas unfold into exciting reality with the Brio range of sliding and folding door hardware.

Brio is passionate about shaping the spaces in which people live, work and play. With subsidiaries in the UK, USA and New Zealand – Brio is recognised by architects worldwide as a leading design and manufacturing company.

Brio's R&D department brings a strong design

element to the business, developing and testing ground breaking concepts that continue to be at the forefront of the industry.

So it's no surprise our name Brio translates to Energy, Spirit and Vitality – the core values that drive us to always discover new solutions for our customers.

We are committed to the continuous improvement of quality. That is why Brio headquarters in Sydney is certified to Quality Management System AS/NZ ISO 9001: 2008.

Brio is a registered trademark of RMD Industries Australia





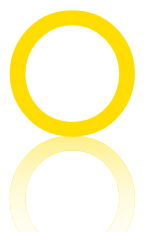
Brio 612 Retractable Pleated Insect Screen

The Brio 612 Retractable Pleated Insect Screen offers a screening solution to any window or door application due to its innovative design. Developed for flexibility and tested for durability, the Brio 612 Screen is a popular product world wide.

With the capability to span 4.5m, the Brio 612 Screen is one of the largest single action screen products of its type in the world. Meeting screens can cover an expansive opening of 9m wide and 3.2m high.

Dimensions

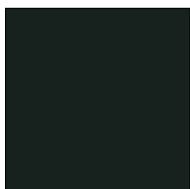
	Single Screen		Double Screen	
	Height mm	Width mm	Height mm	Width mm
Minimum	600	900	600	1800
Maximum	3200	4500	3200	9000



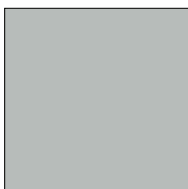


Colours

Brio understands the importance of continuity for aesthetical purposes and so offers the Brio 612 Screen in Black, Silver and White with custom colours available.



Black



Silver



White

Quality

The Brio 612 Screen is assembled in Australia with the finest quality materials to ensure quality is maintained. Our purpose built robotic equipment provides accuracy and efficiency allowing the Brio team to act responsively for delivery of your screens.

The patented Brio 612 Screen has undergone rigorous testing and exceeded 150,000 cycles but for peace of mind, the Brio 612 Screen is covered with a 5 year warranty. The warranty does not extend to damage caused to the mesh by pets, children or the occasional adult.

Performance

High strength, braided tensioning cords run horizontally to stabilise the screen and control vertical orientation of the handle bar. These tensioning cords run over multiple precision bearings to ensure the high quality, European polyester mesh slides smoothly with a low operating force. The use of precision bearings significantly increase the screen's life.

The tensioning cords also prevent the mesh from blowing out in windy conditions. The Brio 612 Screen has been tested to withstand wind gusts up to 30km/h before the mesh leaves the channel. This safety feature helps prevent tearing and if the screen does leave the channel it can be easily placed back inside.

Applications

The Brio 612 Screen is independent of any particular window or door system but can work easily with folding, sliding and french doors as well as many window types. This freedom allows the screen to be used in a multitude of applications. The intelligent design allows the Brio 612 Screen to be fully integrated into windows and doors discreetly while

in operation or retracted. This is achieved with low profile aluminium sections and the pleated, UV stable mesh. Many systems offer a flat mesh which is prone to sagging and requires an unsightly canister to house the screen mesh. The Brio 612 Screen is tailor made to integrate seamlessly with Brio's Weatherfold exterior systems 4s (top hung), 4c (bottom folding) and our Window or Servery. It can also be used with our straight sliding systems Single Run and Timberoll.

Retrofit Screening

New for the Brio 612 Screen is the ability to be added to pre-existing window and door systems which have suitable outer frames. The standard screen kit has been adapted to allow for face fix application which can be easily dressed by timber architraves.

A simple but effective solution to situations where a door system is already in place but without suitable insect screening. The versatile Brio 612 Screen can now rescue these systems and turn them into a full exterior door way system. The retrofit screen kit is also available in the 3 standard colours as well as custom colours making it truly integrated with existing fixtures.

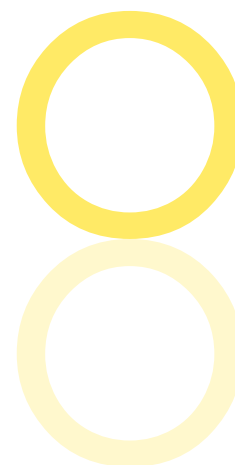


612 Retrofit Screen with Weatherfold 4s

Postless Corner

An advantage of the Brio 612 Screen is the ability to screen corner openings without the need for a corner post, providing stunning uninterrupted views.

Corner applications are possible with all of Brio's Weatherfold exterior, folding systems and our 95HS hybrid sill which utilises timber and aluminium for self draining and easy installation.



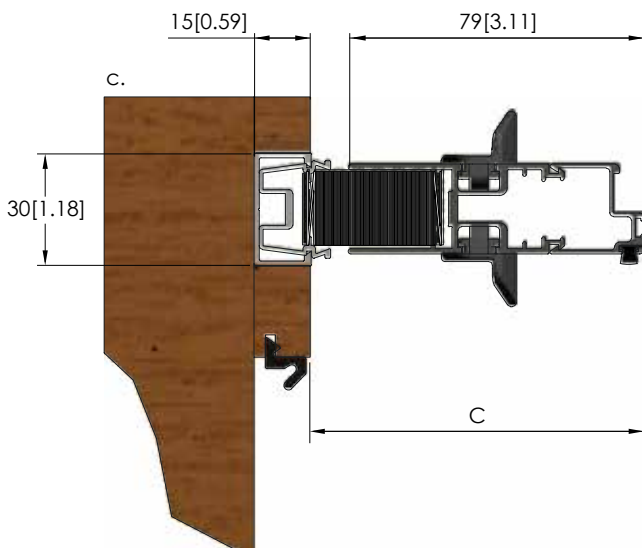
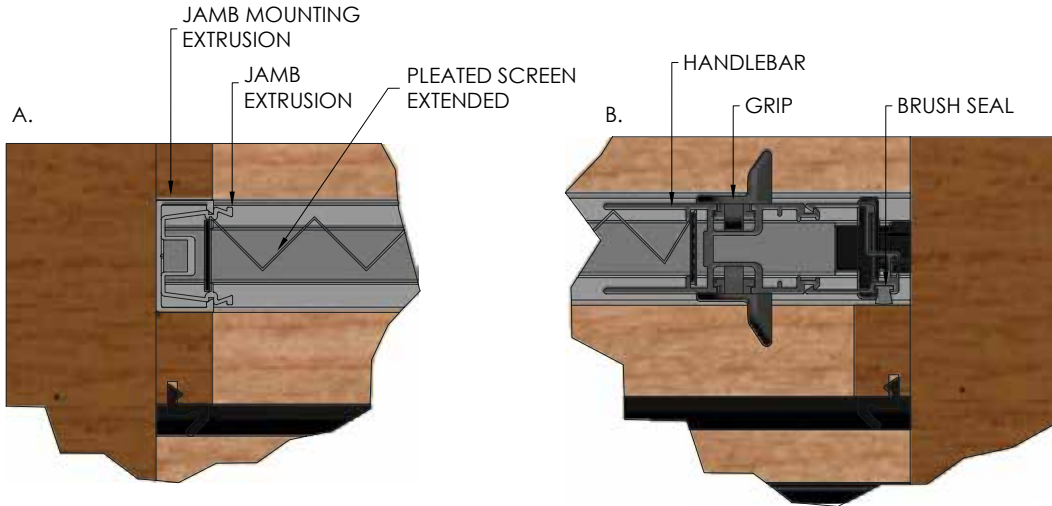
Sliding Stacker Door

Brio also provides specific extrusions to discreetly incorporate its 612 Screen into straight sliding stacker door applications with standard frame and jamb widths. The screen is rebated into the edge of the fixed panel rather than the screen running behind the fixed panel and across the whole jamb to jamb opening. This solution offers a range of aesthetic and economic benefits:

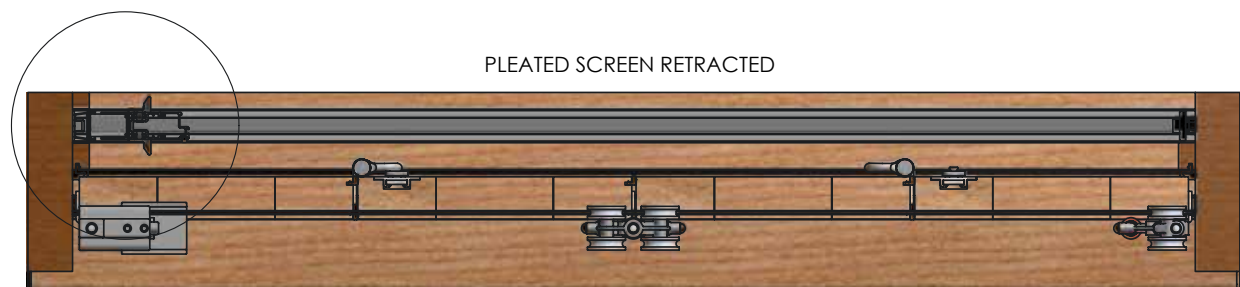
- Oversized frame not required to house multiple panels and a screen system
- Fixed panel is not screened allowing uninterrupted views
- Only the usable opening requires screening
- Sliding door panel seals against the screen to provide a weatherproof seal

612 Retractable Pleated Insect Screen

Plan View - Brio Weatherfold 4s exterior folding door hardware, non mortice hinges

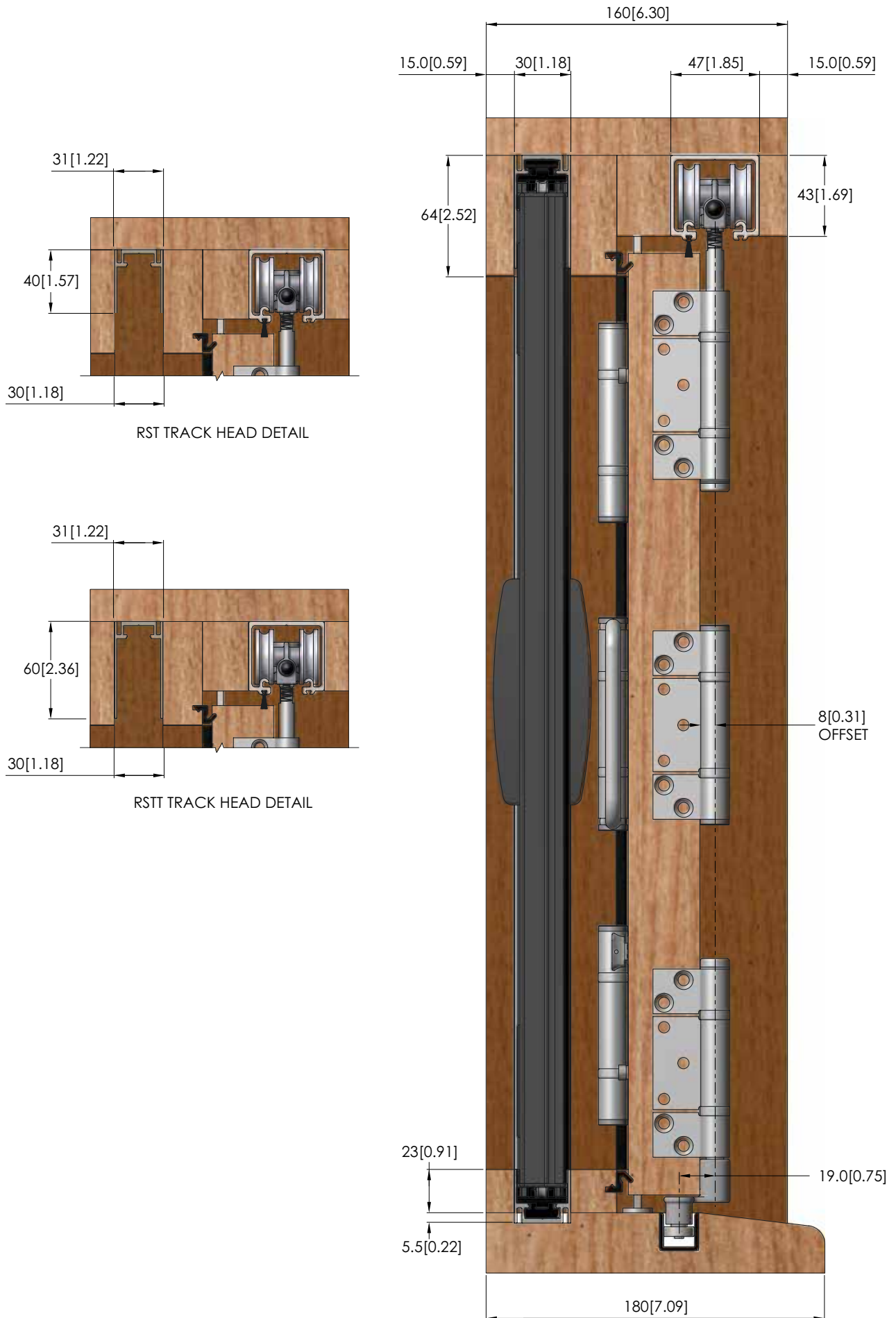


SCREEN WIDTH MM [IN]	DIMENSION C (OVERALL)
1100 [3'7"]	85 [3.35"]
1500 [4'11"]	95 [3.74"]
2000 [6'7"]	108 [4.25"]
2700 [8'10"]	125 [4.92"]
3600 [11'10"]	158 [6.22"]
4500 [14'9"]	185 [7.28"]



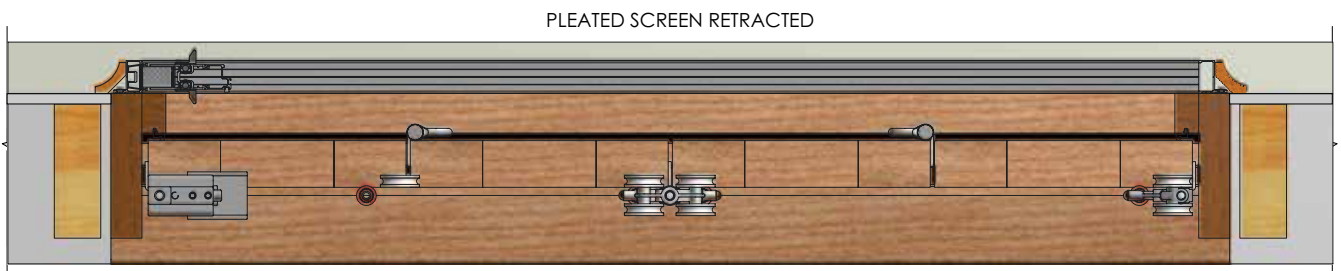
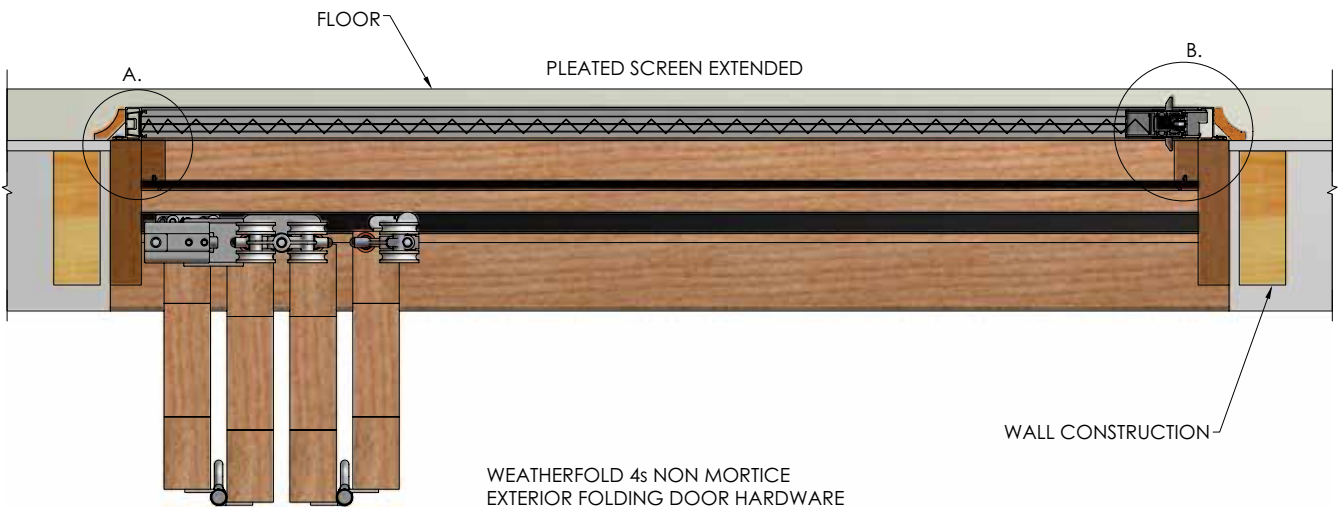
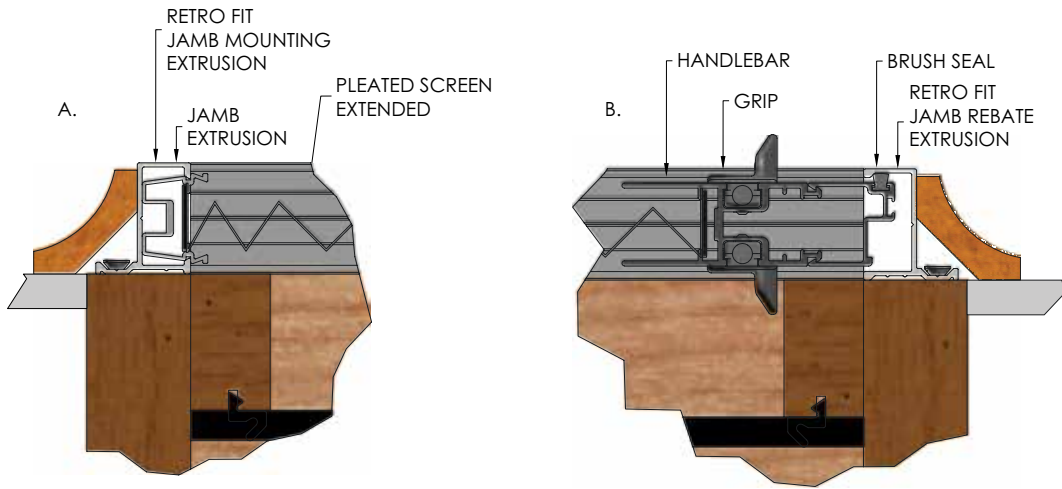
612 Retractable Pleated Insect Screen

End View - Brio Weatherfold 4s exterior folding door hardware, non mortice hinges



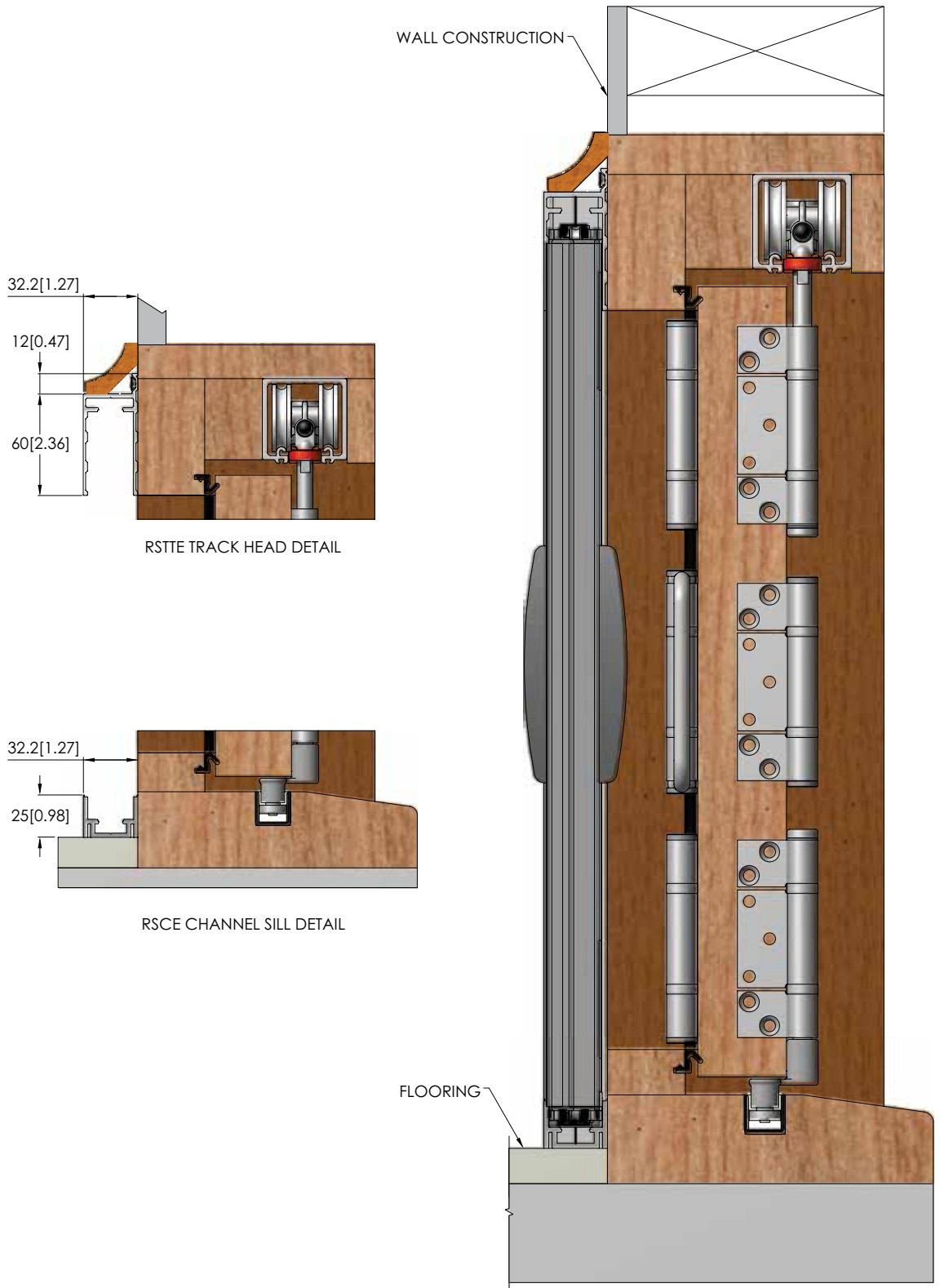
612 Retractable Pleated Insect Screen Retrofit

Plan View – Brio Weatherfold 4s exterior folding door hardware, non mortice hinges



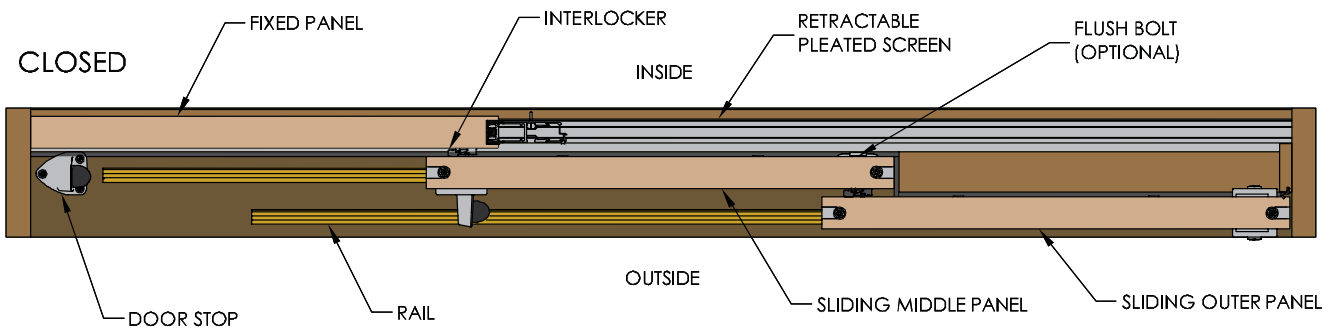
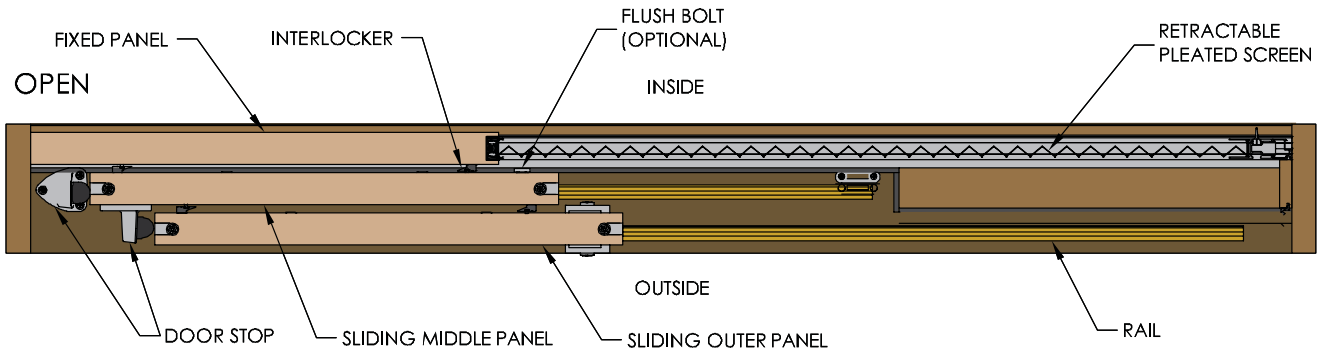
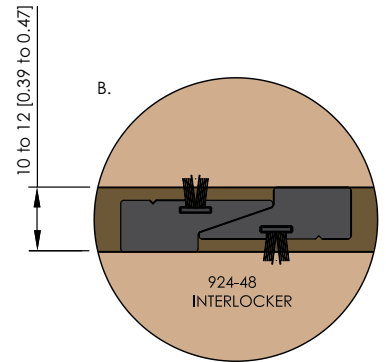
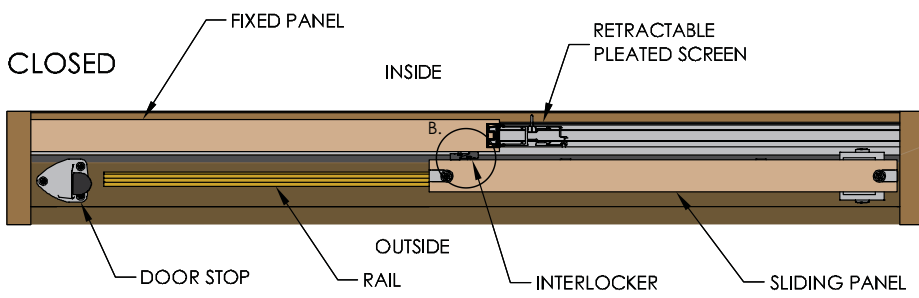
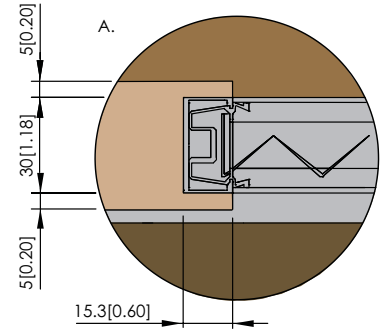
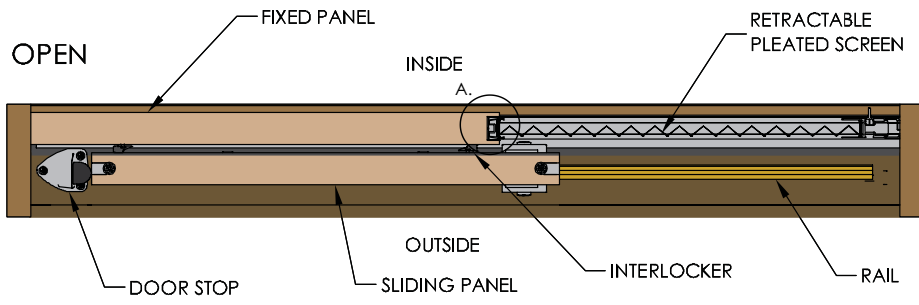
612 Retractable Pleated Insect Screen Retrofit

End View – Brio Weatherfold 4s exterior folding door hardware, non mortice hinges



612 Retractable Pleated Insect Screen

Plan View – Brio Timberoll 200 exterior bottom roller sliding door hardware

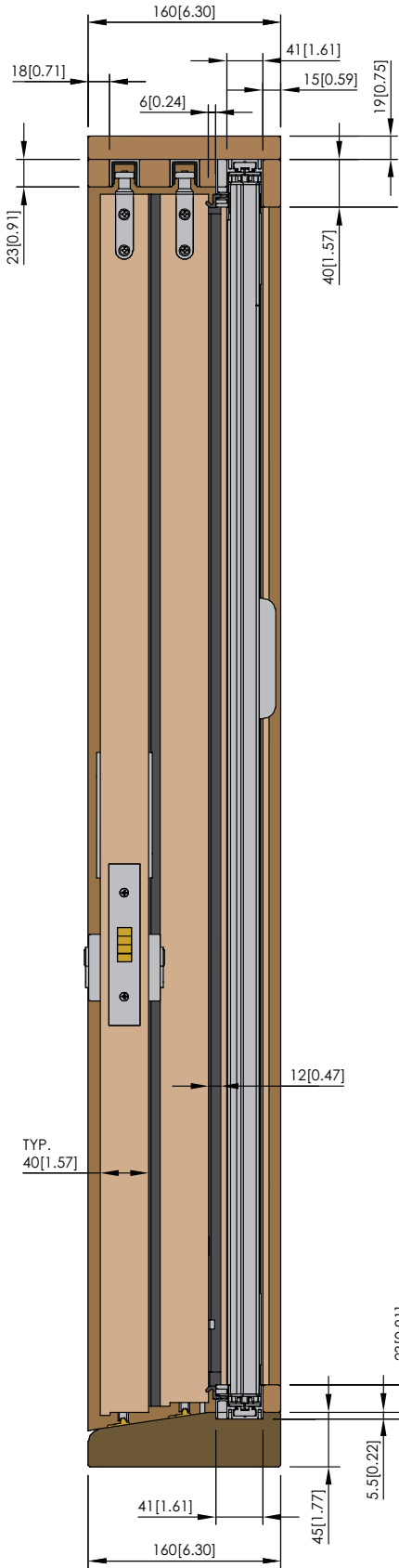


612 Retractable Pleated Insect Screen

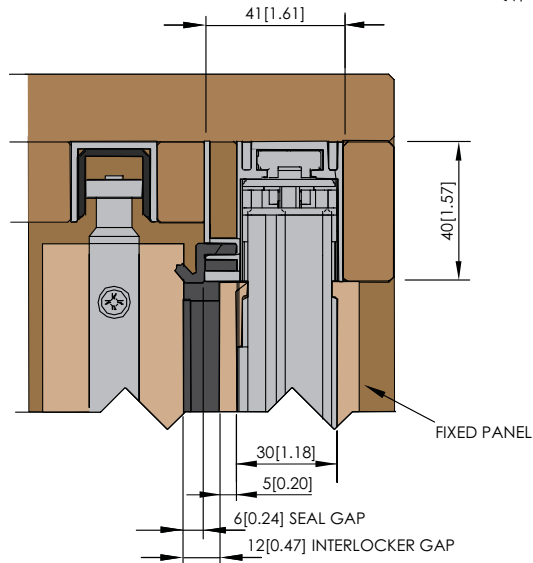
End View – Brio Timberoll 200 exterior bottom roller sliding door hardware

TWO SLIDING DOORS AND ONE FIXED
PANEL SCREEN REBATED INTO FIXED PANEL

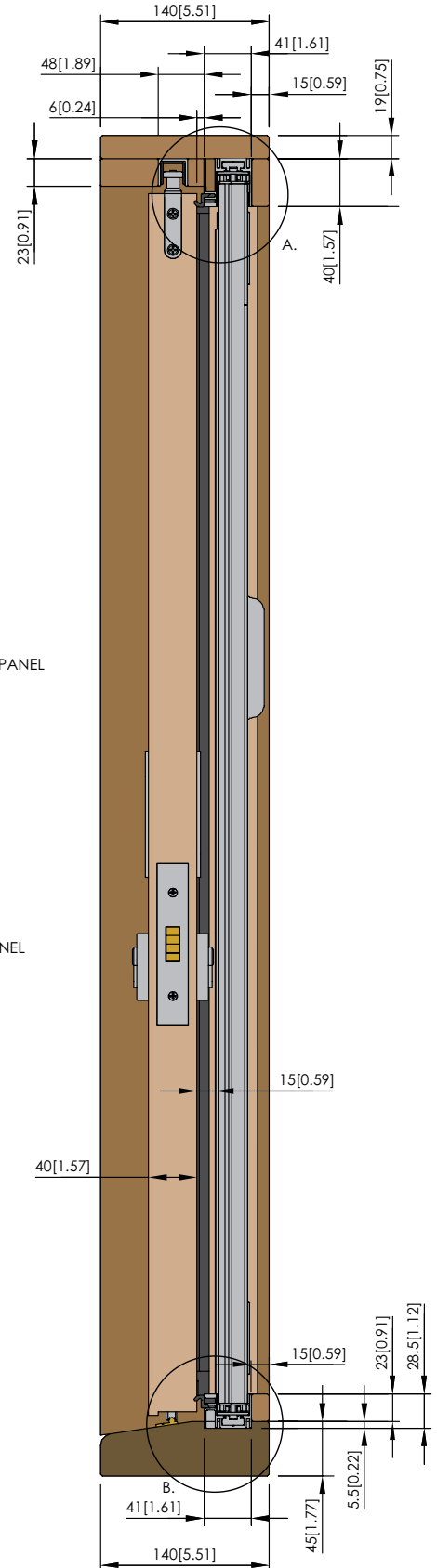
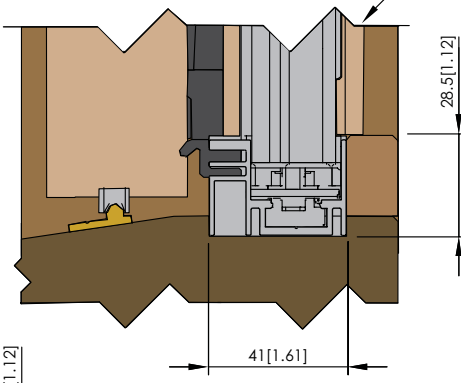
ONE SLIDING DOOR AND ONE FIXED PANEL
SCREEN REBATED INTO FIXED PANEL



A.
HEAD DETAIL FOR SCREENS UP TO 2.6M HIGH MOUNTED TO FIXED PANEL USING RSTS TOP SCREEN GUIDE TRACK WITH BUILT IN REBATE AND SEAL GROOVE FOR AQ21 FRAME SEAL. RSTS TRACK RUNS ACROSS THE OPENING WITH THE FIXED PANEL FITTED TO IT

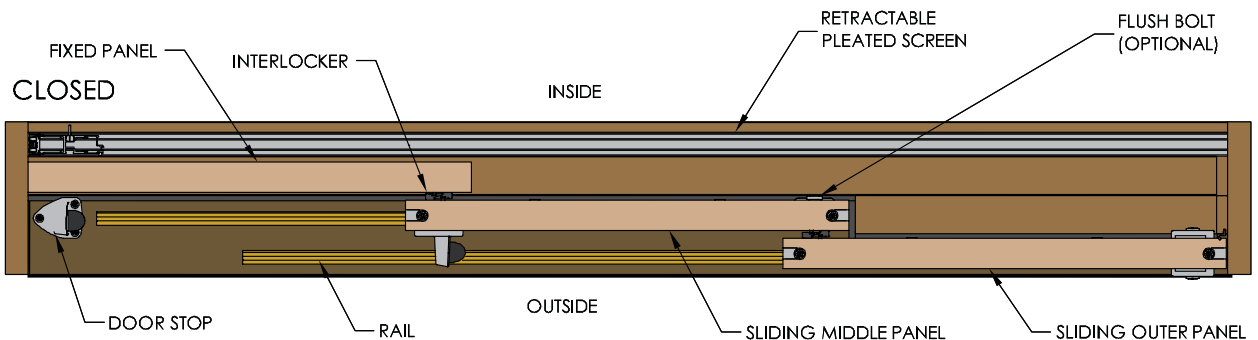
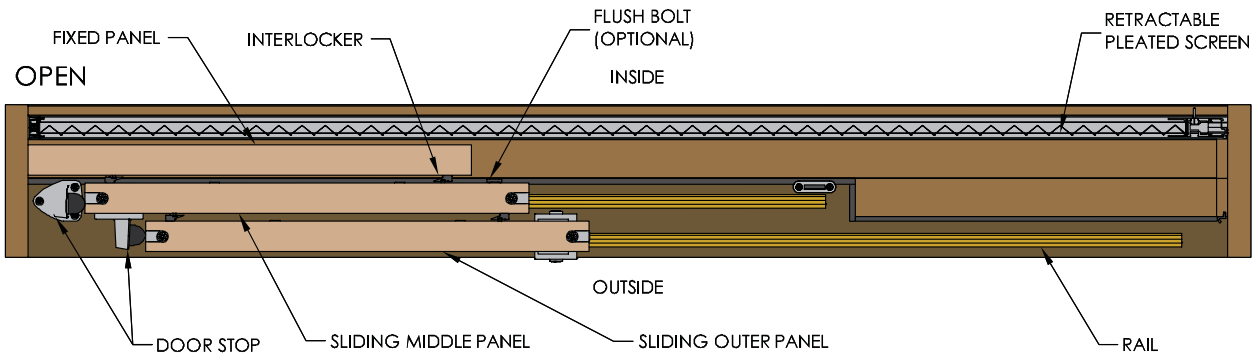
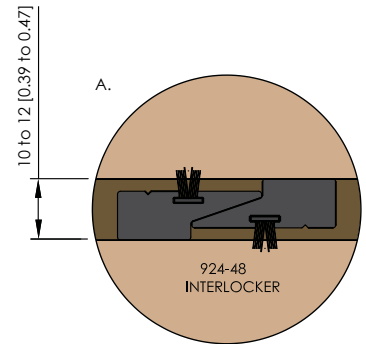
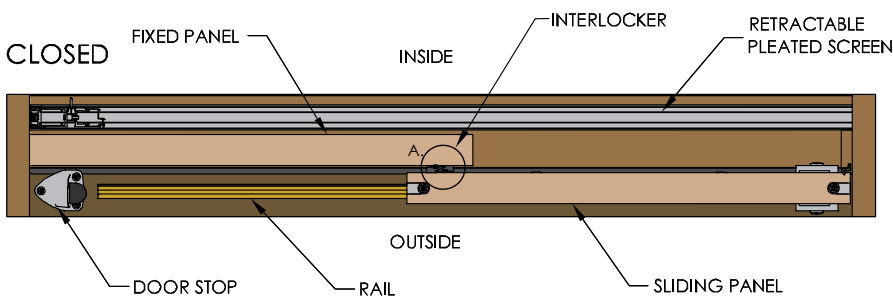
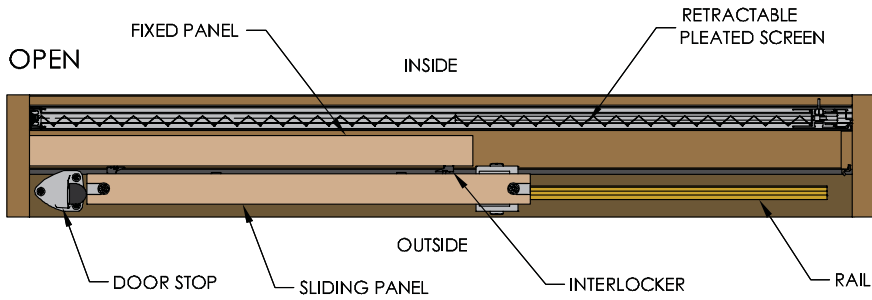


B.
BOTTOM SILL DETAIL FOR INSECT SCREENS MOUNTED TO FIXED PANEL USING RECS BOTTOM SCREEN CHANNEL WITH BUILT IN REBATE AND SEAL GROOVE FOR AQ21 FRAME SEAL. RECS BOTTOM SCREEN CHANNEL RUNS ACROSS THE OPENING WITH THE FIX PANEL FITTED ON TOP OF IT.



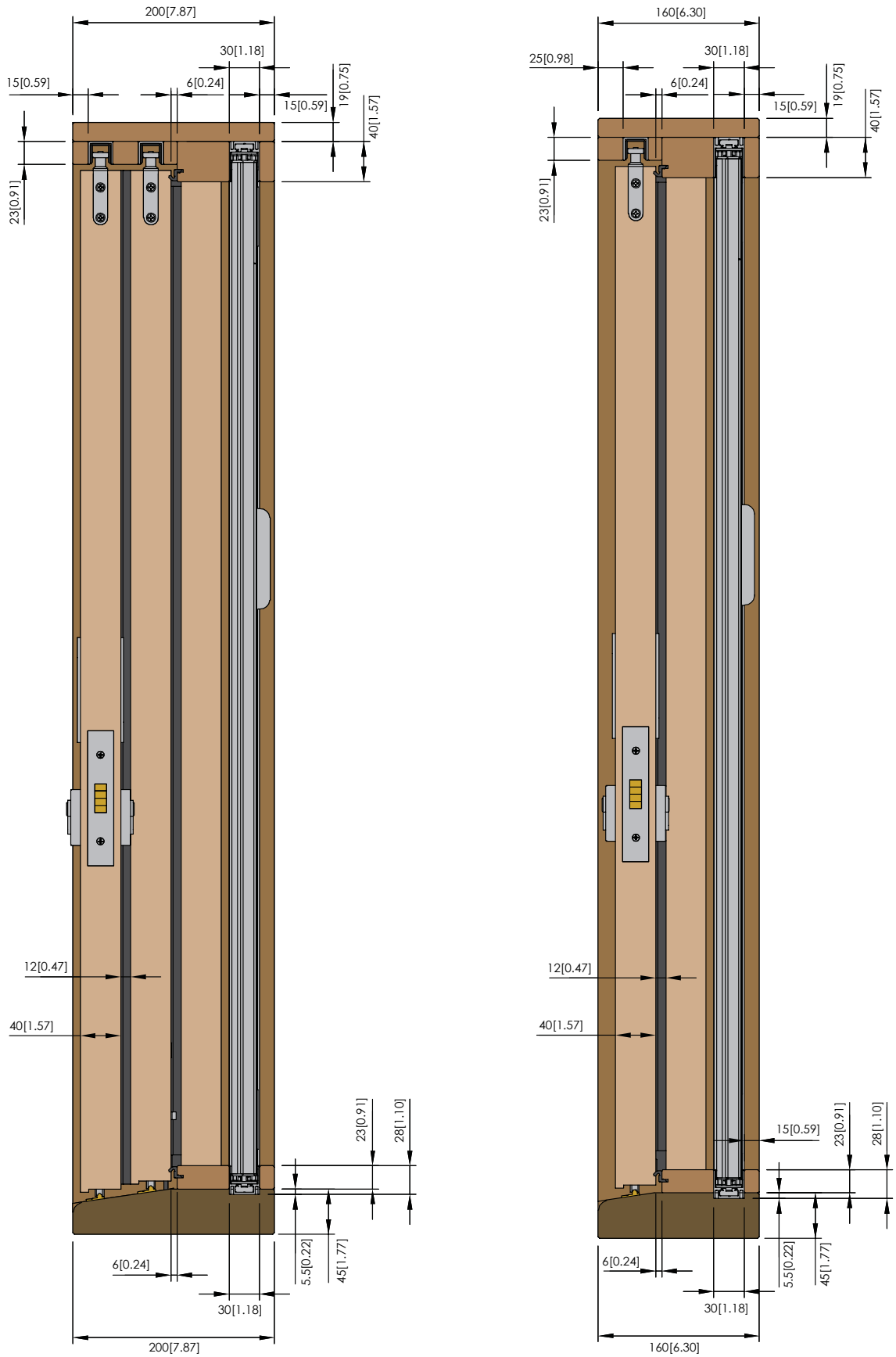
612 Retractable Pleated Insect Screen

Plan View – Brio Timberoll 200 exterior bottom roller sliding door hardware



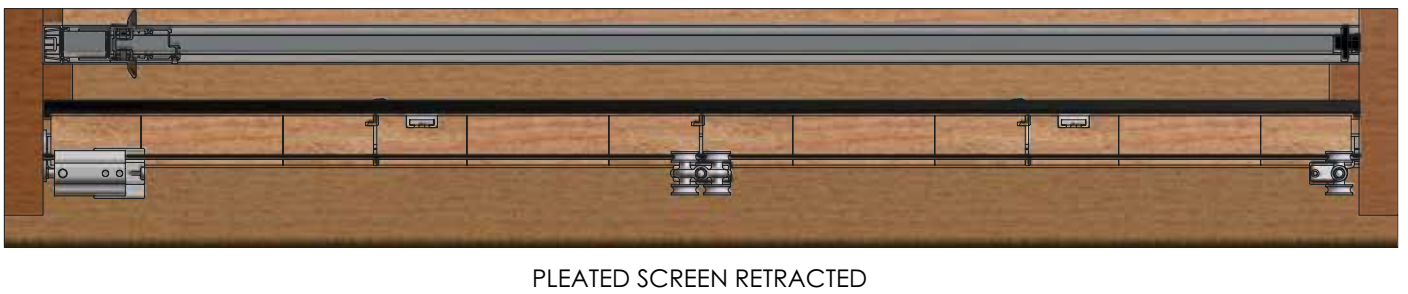
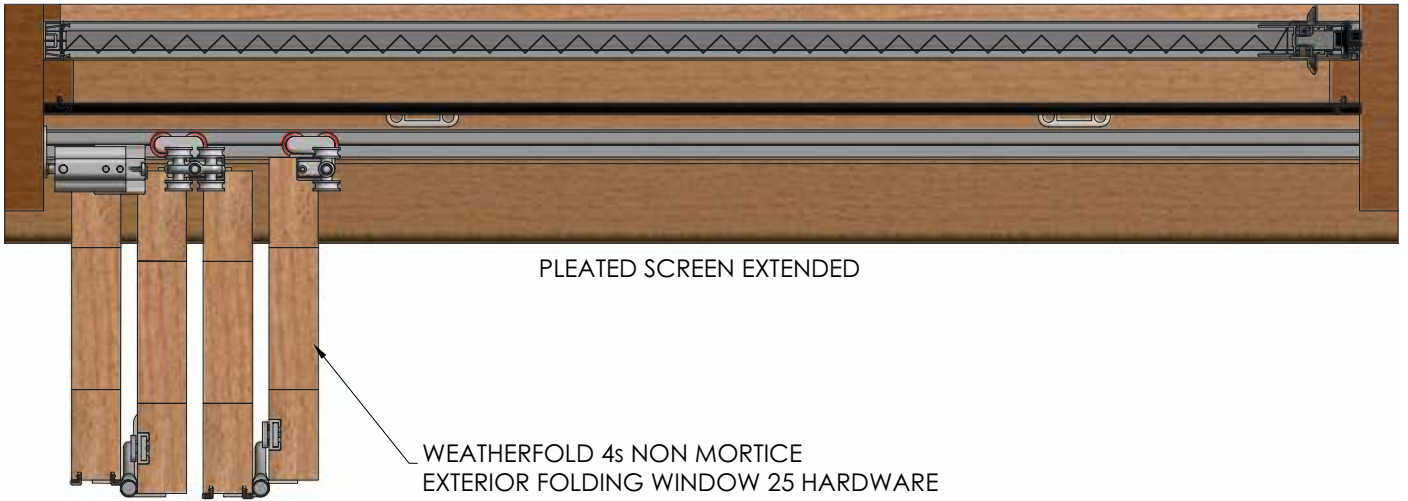
612 Retractable Pleated Insect Screen

End View – Brio Timberoll 200 exterior bottom roller sliding door hardware



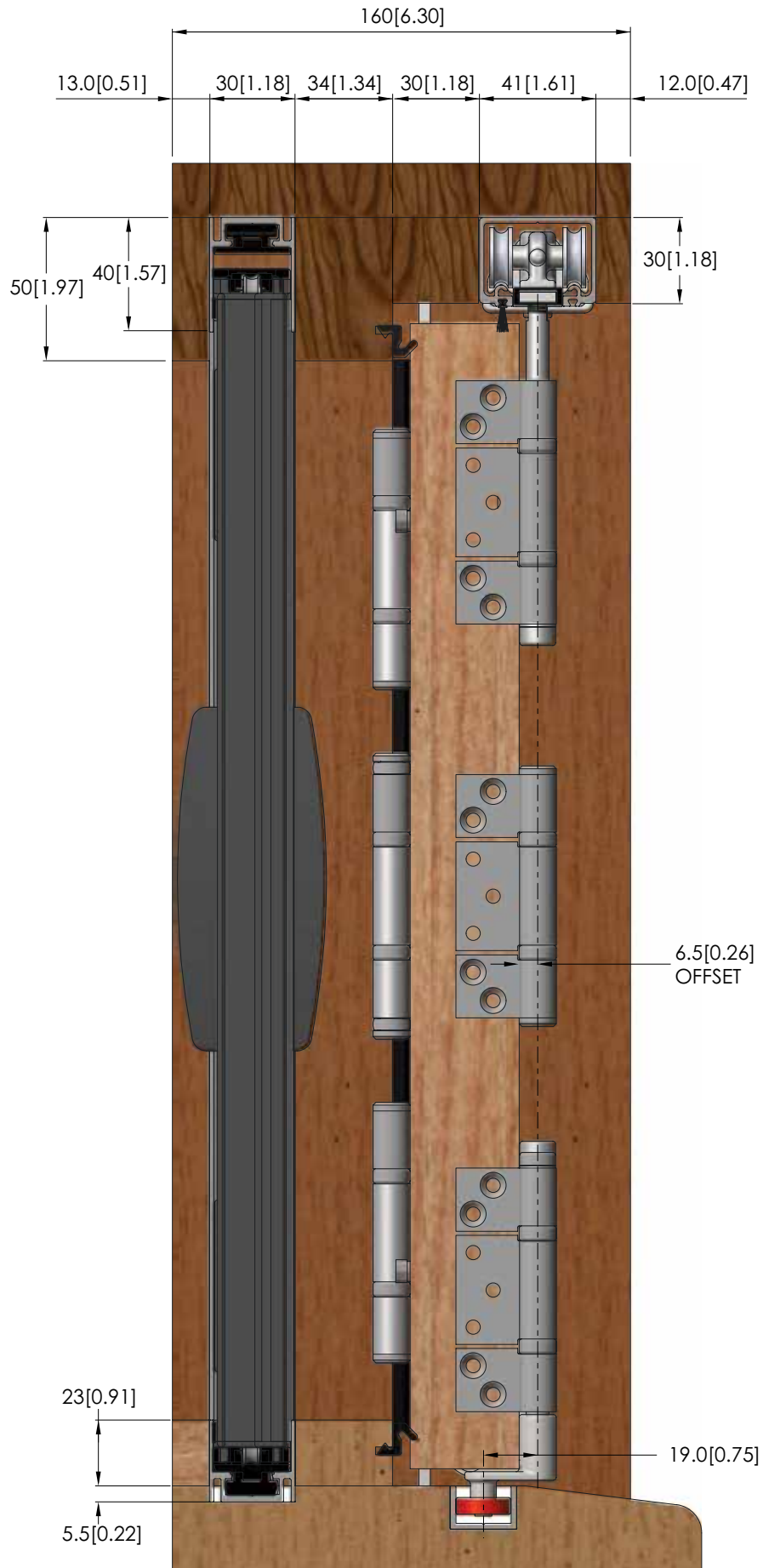
612 Retractable Pleated Insect Screen

Plan View – Brio Weatherfold 4s Window exterior folding window hardware



612 Retractable Pleated Insect Screen

End View – Brio Weatherfold 4s Window exterior folding window hardware





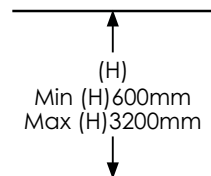
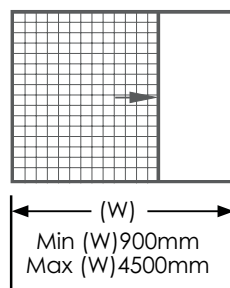
Brio 612 Retractable Pleated Insect Screen Standard Sizes

Width - screen reduces in width to the size of the next smallest screen, eg. a 3600mm wide screen can be installed in an opening that is between 2700mm-3600mm wide. Height – each screen can be cut down by up to 200mm. Aluminium sections available in powdercoat Black, Silver and White.

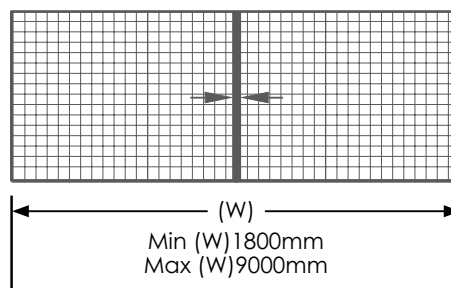
Single Screen

		Width Range mm					
		900 - 1100	1100 - 1500	1500 - 2000	2000 - 2700	2700 - 3600	3600 - 4500
Height Range mm	3000 - 3200	•	•	•	•	•	•
	2800 - 3000	•	•	•	•	•	•
	2600 - 2800	•	•	•	•	•	•
	2400 - 2600	•	•	•	•	•	•
	2200 - 2400	•	•	•	•	•	•
	2000 - 2200	•	•	•	•	•	•
	1800 - 2000	•	•	•	•	•	•
	1600 - 1800	•	•	•	•	•	
	1400 - 1600	•	•	•	•	•	
	1200 - 1400	•	•	•	•		
	1000 - 1200	•	•	•	•		
	800 - 1000	•	•	•			
	600 - 800	•	•	•			

Single Screen

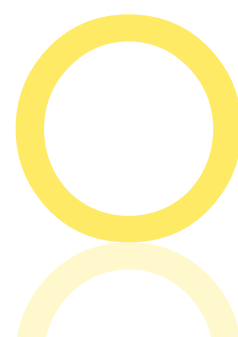


Double Screen



Double Screen

		Width Range mm					
		1800 - 2200	2200 - 3000	3000 - 4000	4000 - 5400	5400 - 7200	7200 - 9000
Height Range mm	3000 - 3200	•	•	•	•	•	•
	2800 - 3000	•	•	•	•	•	•
	2600 - 2800	•	•	•	•	•	•
	2400 - 2600	•	•	•	•	•	•
	2200 - 2400	•	•	•	•	•	•
	2000 - 2200	•	•	•	•	•	•
	1800 - 2000	•	•	•	•	•	•
	1600 - 1800	•	•	•	•	•	
	1400 - 1600	•	•	•	•	•	
	1200 - 1400	•	•	•	•		
	1000 - 1200	•	•	•	•		
	800 - 1000	•	•	•			
	600 - 800	•	•	•			



Brio®

Brio – Australia

PO Box 140, Regents Park NSW 2143
C5 - C7, Regents Park Estate, 391 Park Road,
Regents Park, NSW 2143, Australia.

Phone +61 2 8718 6718 Fax +61 2 8718 6719

www.brio.com.au

email: sales@brio.com.au

Brio Group Brio Group, a division of RMD Industries Pty Ltd ABN 31 004 313 937

Brio RMD (UK) Ltd

Unit 30 Gateway West, Kingfisher Boulevard, Newburn Riverside,
Newcastle Upon Tyne, NE15 8NZ, United Kingdom

Phone +44 (0) 191 2291224 Fax +44 (0) 191 2677891

www.briouk.com

email: sales@briouk.com

Brio RMD (UK) Limited trading as Brio, is a subsidiary of the Brio Group, a division of RMD Industries

Brio USA Inc.

85 Mushroom Blvd

Rochester, NY 14623-3201

Toll Free +1 855 586 6251 Phone +1 585 319 5599 Fax +1 585 319 5741

www.briousa.com

email: sales@briousa.com

Brio USA Inc. trading as Brio, is a subsidiary of the Brio Group, a division of RMD Industries

Brio NZ

26C Neil Park Drive

East Tamaki, Auckland

Phone +64 9 277 0040 Fax +64 9 277 0140

www.brionz.com

email: sales@brionz.com

Brio NZ trading as Brio, is a subsidiary of the Brio Group, a division of RMD Industries

Brio is a registered trademark of RMD Industries Pty Ltd